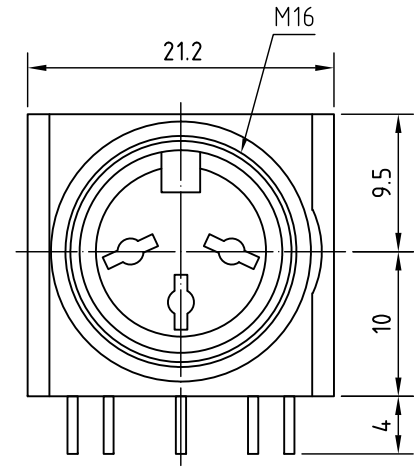
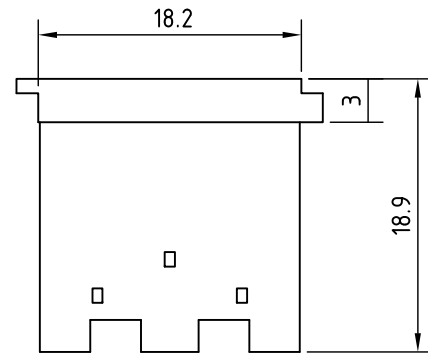


REV.	Description	Date
1	upgrade drawing	2012/11/15



Specification:

1. Contact resistance: 20mΩ max.
2. Dielectric strength: 800V AC / 1 minute
3. Insulation resistance: 100MΩ min. at 500V DC
4. Rating: 100V AC 2A

RoHS  
TOLERANCE X±0.5 X.X±0.3

5	Terminal	Brass	Nickel plated
4	Earth terminal	Brass	
3	Contact terminal	Brass	
2	Base	PBT	
1	Main body	ABS	Nickel plated
Item	Description	Material	Treat & Remark

CONTACT ARRANGEMENT FRONT VIEW (FEMALE)	3P	4P	5P	6P	7P	8P



**Unicable Co., Ltd. 國陽電業有限公司**  
5F., No. 111-33, Sec. 4, San Ho Road, San Chung City, Taiwan, R.O.C.  
<http://www.unicable.com.tw> TEL:+886-2-2286-2122 FAX:+886-2-2286-1010

DATE	2016/10/7	PART NO.	UT-DS556-XP
DWN	GINA	REV.	1
CHK			
UNIT	MM		

ITEM	Push Lock Din Connector Socket
------	--------------------------------